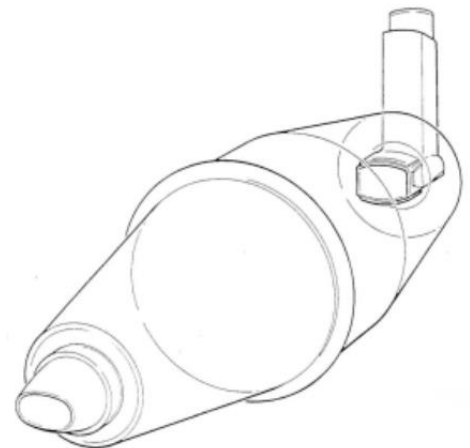


# How to use a Spacer device e.g. a Volumatic

## Single breath technique:

1. Align the two halves of the Volumatic device and press together.
2. Remove cap and shake inhaler. Insert into the Volumatic.
3. Put mouthpiece in mouth (between the teeth and close lips) and breathe out.
4. Press the canister once to release a dose of the drug and take a slow, steady breath IN. The valve will make a clicking sound.
5. Remove the device from mouth and hold breath for 10 seconds.
6. If you require a second dose, wait 30-60 seconds before repeating steps 2-5.
7. Remove the device from volumatic and replace cap.

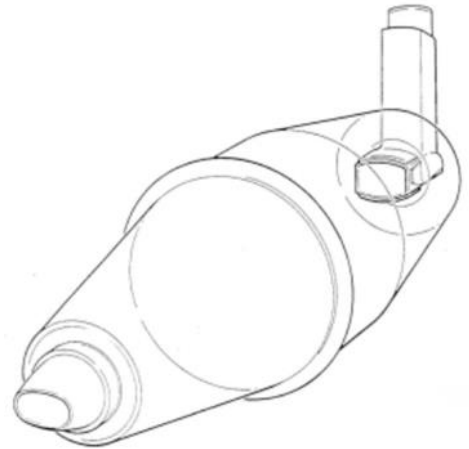


**Demonstrate your device technique to your GP, nurse, pharmacist or clinical specialist at every opportunity**

# How to use a Spacer device e.g. a Volumatic

## Multiple breath technique:

1. Align the two halves of the Volumatic device and press together.
2. Remove cap, shake inhaler and insert into the Volumatic
3. Put mouthpiece in mouth (between the teeth and close lips) and breathe in and out. The valve will make a clicking sound.
4. Press the canister once to release a dose of the drug. Breathe in and out for 5 or 6 breaths with the lips and teeth remaining around the mouthpiece.
5. Remove the device from mouth and breathe normally.
6. If you require a second dose, wait 30-60 seconds before repeating steps 2-5.
7. Remove the device from volumatic and replace cap.



**Demonstrate your device technique to your GP, nurse, pharmacist or clinical specialist at every opportunity**